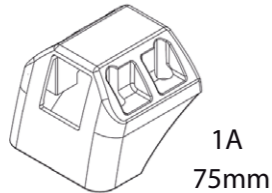
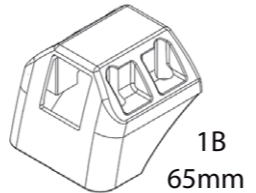
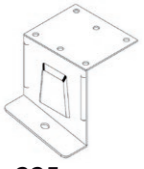


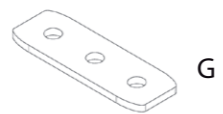

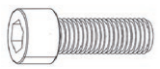



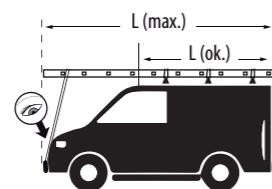
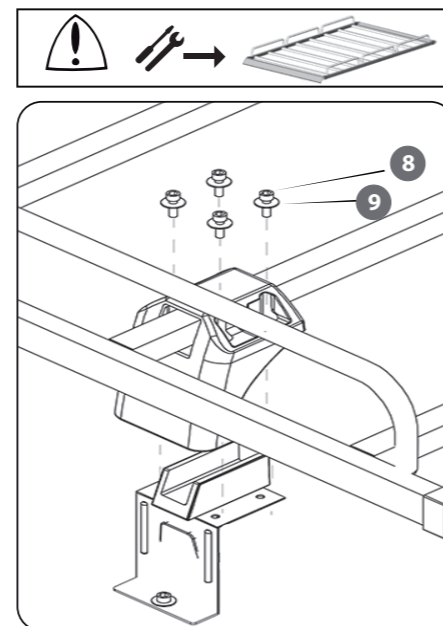
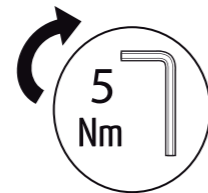
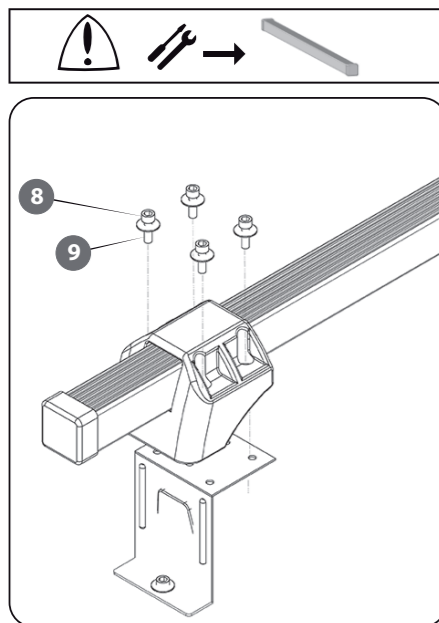


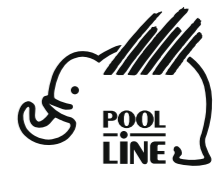
| N | | Q | | Q |
|---|--|-----|---|---|
| 1 |  1A 75mm | 4 |  1B 65mm | 2 |
| 2 |  225  226 | 2+2 |  210 | 2 |
| 3 |  G | | | 8 |
| 4 |  | | | 1 |

| N | BO0061 | Q |
|---|---|----|
| 8 |  DIN912 M6x20 | 24 |
| 9 |  DIN125 | 24 |

| N | BO0034 x 2 | Q |
|----|--|---|
| 10 |  ISO 7380 M8x25 | 6 |
| N | BO0032 x 2 | Q |
| 11 |  Din125 Ø8 | 6 |

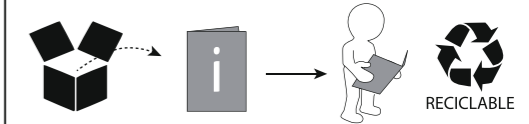


- E** Instrucciones de montaje Kit de fijación
- C** Instruccions de muntatge Kit de fixació
- GB** Assembly instructions Fixation Kit
- F** Instruction de montage Kit fixation
- D** Montageanleitung Stützfuß-Kit
- PT** Instruções de montagem Kit fixação
- I** Istruzioni di montaggio Kit di fissaggio
- PL** Instrukcja montażu Element mocujący
- CZ** Montážní návod Fixační kit
- HU** Szerelési Utasítás Rögzítő készlet
- RO** Instrucțiuni de montaj Kit de fixare
- HR** Detaljne upute Kit za montažu
- TU** Öncelikle montaj Montaj kiti



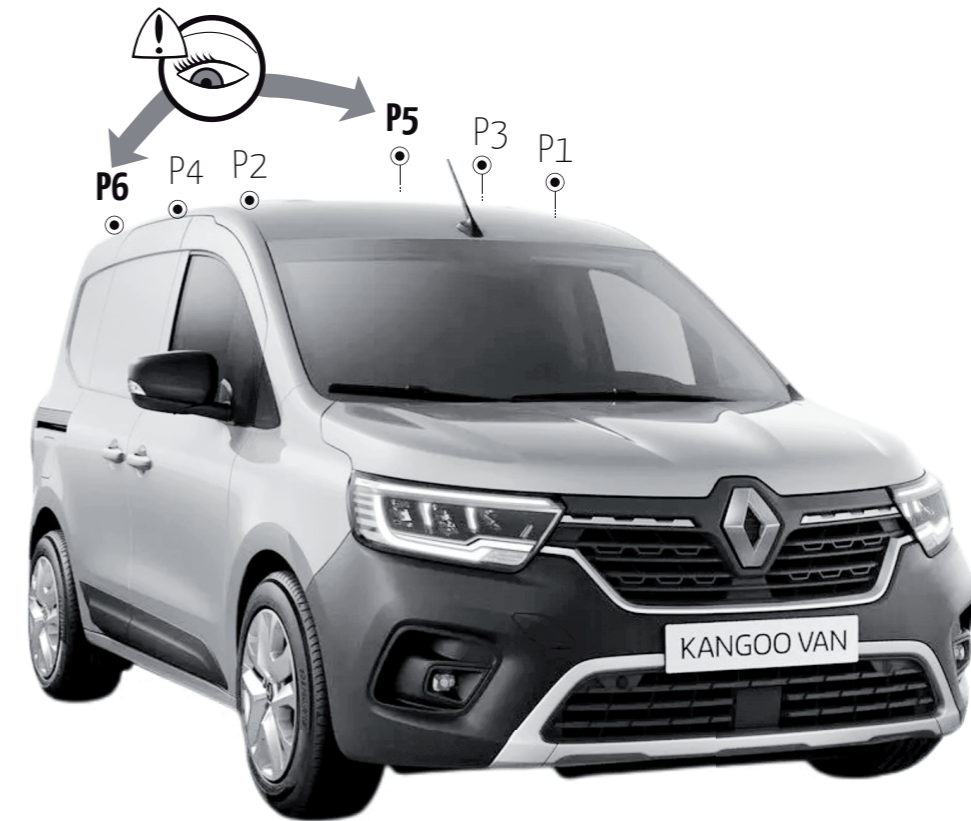
POOL-LINE ACCESORIOS, S.L.
C. Esqueis, 19. P. I. Can Barri
08415- Bigues i Riells. Barcelona (España)
www.pool-line.net

Nº HOMOLOGACIÓN: **E9** 26R-03.1043

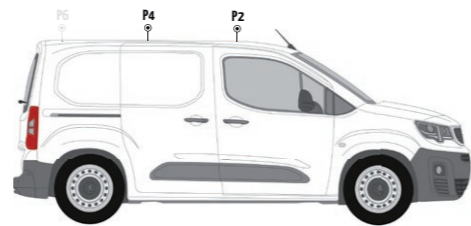
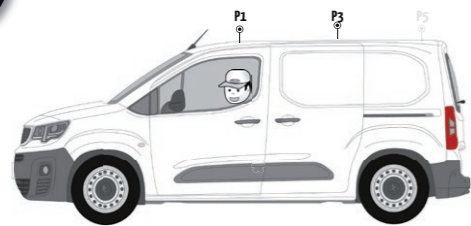


121085

Rv: 11/2021

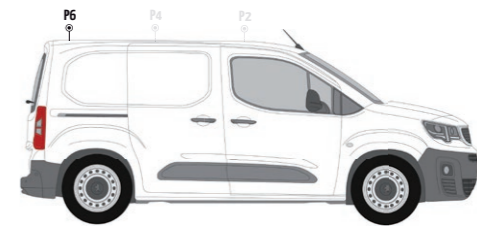
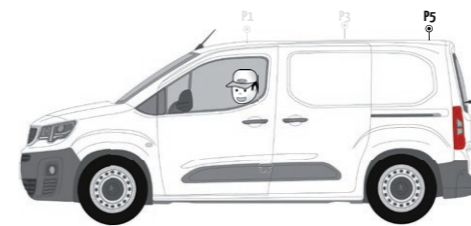
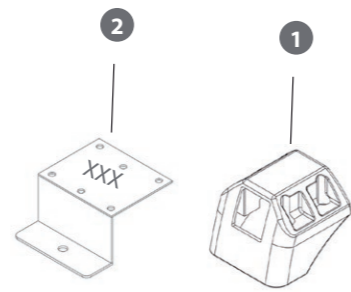


| | L1 | H1 | 2021-> | B00032 + B00034 | 225+1A+1G | 226+1A+1G | 210+1B+1G | 210+1B+1G | 226+1A+2G | 225+1A++2G |
|----------------|----|----|--------|-----------------|-----------|-----------|-----------|-----------|-----------|------------|
| RENAULT | | | | | | | | | | |
| KANGOO III | L1 | H1 | 2021-> | B00032 + B00034 | 225+1A+1G | 226+1A+1G | 210+1B+1G | 210+1B+1G | 226+1A+2G | 225+1A++2G |



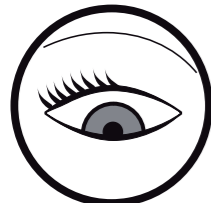
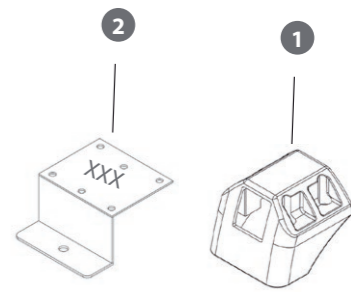
Pag. 1

| P1 | P2 | P3 | P4 | P5 | P6 |
|-----------|-----------|-----------|-----------|-----------|-----------|
| 225-1A-16 | 225-1A-16 | 210-1B-16 | 210-1B-16 | | |
| 225-1A-16 | 225-1A-16 | 210-1B-16 | 210-1B-16 | 225-1A-20 | 225-1A-20 |
| 225-1A-16 | 225-1A-16 | 210-1B-16 | 210-1B-16 | 225-1A-20 | 225-1A-20 |



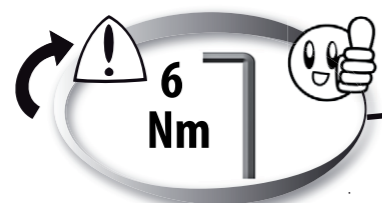
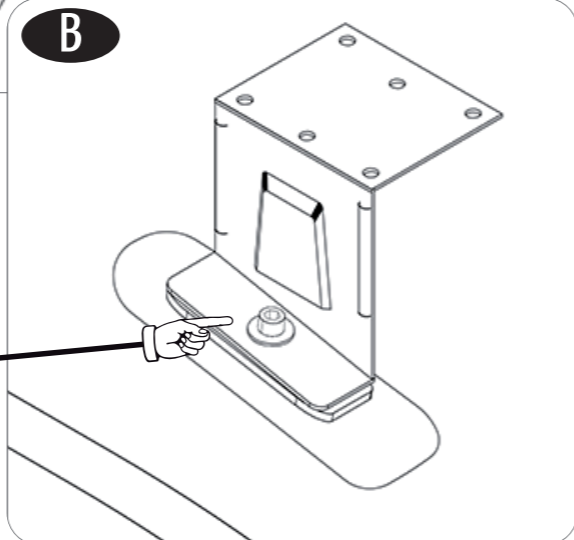
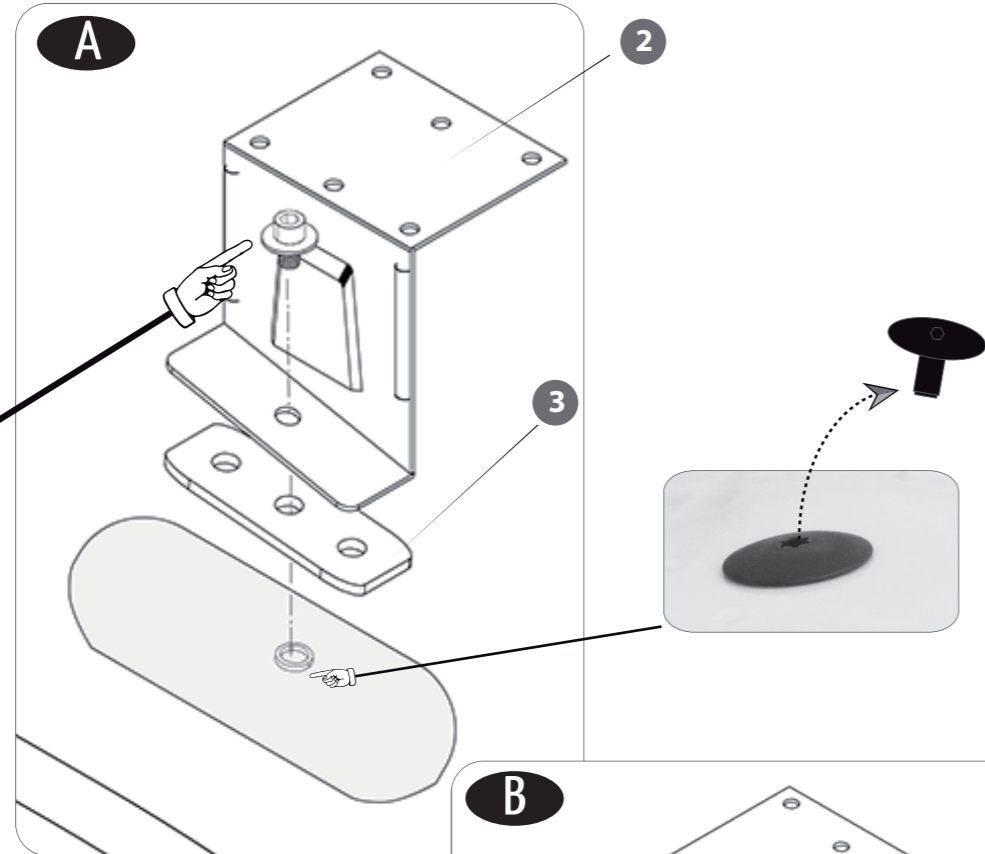
Pag. 1

| P1 | P2 | P3 | P4 | P5 | P6 |
|----|----|----|----|-----------|-----------|
| | | | | 225-1A-20 | 225-1A-20 |
| | | | | 225-1A-20 | 225-1A-20 |
| | | | | 225-1A-20 | 225-1A-20 |



Pag. 1

| ↻ | 10 | P1 | P1 |
|----|---------|----|----|
| OX | B000032 | | |
| OX | B000034 | | |
| | B000032 | | |



Pag. 1

| ↻ | 10 | P1 | P1 |
|----|---------|----|----|
| OX | B000032 | | |
| OX | B000034 | | |
| | B000032 | | |

