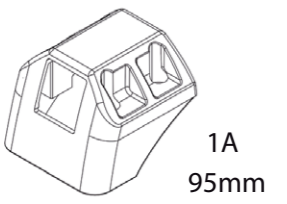
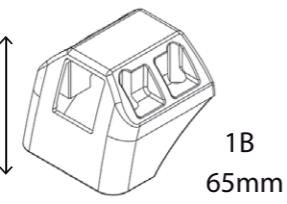
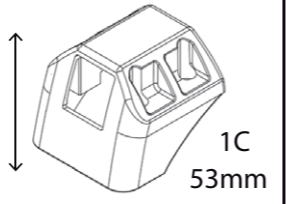
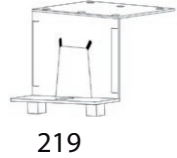
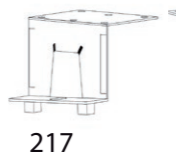
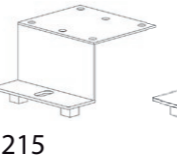
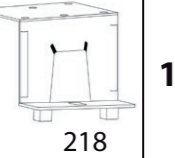

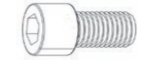

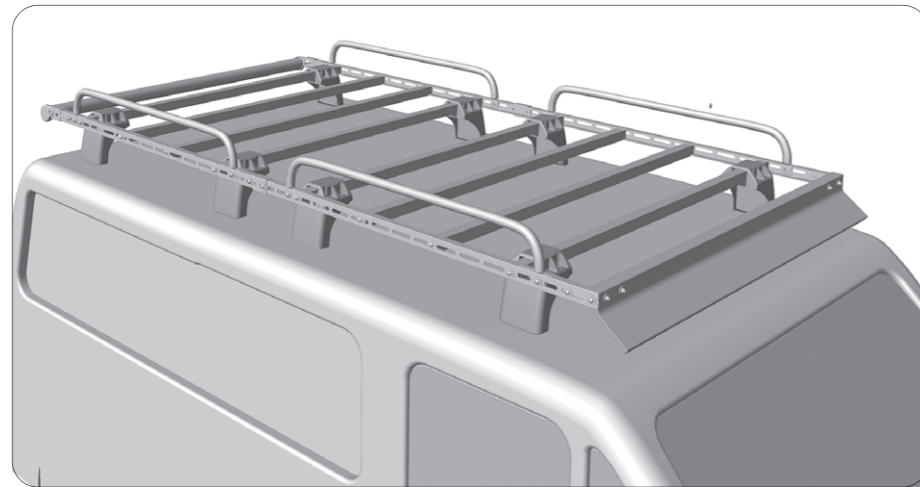


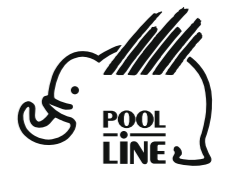
| N | Q | | Q | | Q | |
|---|---|-----|---|-----|---|-----|
| 1 |  | 2 |  | 2 |  | 4 |
| 2 |  | 1+1 |  | 1+1 |  | 2+2 |
| 3 |  | | | | | 8 |
| 4 |  | | | | | 1 |

| N | BO0060 x2 | Q |
|---|--|----|
| 8 |  DIN912 M6x20 | 32 |
| 9 |  DIN125 Ø6 | 32 |

| N | BO0006 x4 | Q |
|----|--|---|
| 10 |  DIN912 M6x16 | 8 |
| 11 |  DIN9021 Ø6 | 8 |



- E** Instrucciones de montaje Kit de fijación
- C** Instruccions de muntatge Kit de fixació
- GB** Assembly instructions Fixation Kit
- F** Instruction de montage Kit fixation
- D** Montageanleitung Stützfuß-Kit
- PT** Instruções de montagem Kit fixação
- I** Istruzioni di montaggio Kit di fissaggio
- PL** Instrukcja montażu Element mocujący
- CZ** Montážní návod Fixační kit
- HU** Szerelési Utasítás Rögzítő készlet
- RO** Instrucțiuni de montaj Kit de fixare
- HR** Detaljne upute Kit za montažu
- TU** Öncelikle montaj Montaj kiti



POOL-LINE ACCESORIOS, S.L.
C. Esqueis, 19. P. I. Can Barri
08415- Bigues i Riells. Barcelona (España)
www.pool-line.net

Nº HOMOLOGACIÓN: **E9** 26R-03.1042

RECYCLABLE

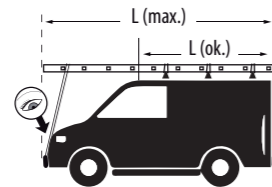
121941

Rv: 02/2022

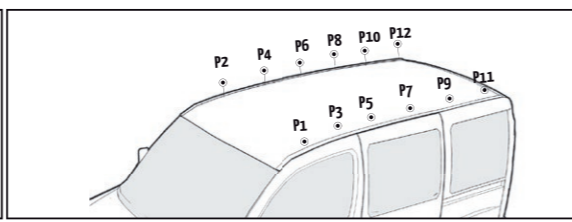
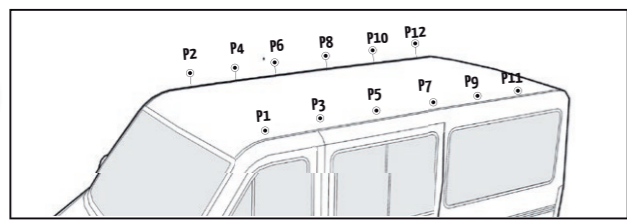
| | L* | H** | ↻ | ↻ | P1 | P2 | P3 | P4 | P5 | P6 | P7 | P8 | P9 | P10 | P11 | P12 |
|----------------|----|-----|-------|--------|--------|--------|--------|--------|----|----|--------|--------|--------|--------|--------|--------|
| CITROËN | | | | | | | | | | | | | | | | |
| JUMPY II | L1 | H1 | 07-15 | 800006 | 219+1A | 218+1A | 217+1B | 216+1B | | | 215+1C | 215+1C | 214+1C | 214+1C | | |
| JUMPY II | L2 | H1 | 07-15 | 800006 | 219+1A | 218+1A | 217+1B | 216+1B | | | 214+1C | 214+1C | | | 215+1C | 215+1C |
| FIAT | | | | | | | | | | | | | | | | |
| SCUDO II | L1 | H1 | 07-15 | 800006 | 219+1A | 218+1A | 217+1B | 216+1B | | | 215+1C | 215+1C | 214+1C | 214+1C | | |
| SCUDO II | L2 | H1 | 07-15 | 800006 | 219+1A | 218+1A | 217+1B | 216+1B | | | 214+1C | 214+1C | | | 215+1C | 215+1C |
| PEUGEOT | | | | | | | | | | | | | | | | |
| EXPERT II | L1 | H1 | 07-15 | 800006 | 219+1A | 218+1A | 217+1B | 216+1B | | | 215+1C | 215+1C | 214+1C | 214+1C | | |
| EXPERT II | L2 | H1 | 07-15 | 800006 | 219+1A | 218+1A | 217+1B | 216+1B | | | 214+1C | 214+1C | | | 215+1C | 215+1C |
| TOYOTA | | | | | | | | | | | | | | | | |
| PROACE I | L1 | H1 | 13-15 | 800006 | 219+1A | 218+1A | 217+1B | 216+1B | | | 215+1C | 215+1C | 214+1C | 214+1C | | |
| PROACE I | L2 | H1 | 13-15 | 800006 | 219+1A | 218+1A | 217+1B | 216+1B | | | 214+1C | 214+1C | | | 215+1C | 215+1C |



Limpieza pre-instalación
Pre-installation cleaning



Revisar par de apriete
Check torque



| P1 | P2 | P3 | P4 | P5 | P6 | P7 | P8 | P9 | P10 | P11 | P12 |
|-----|-----|----|----|-----|-----|----|----|----|-----|-----|-----|
| xxx | xxx | | | xxx | xxx | | | | | xxx | xxx |
| xxx | xxx | | | xxx | xxx | | | | | xxx | xxx |
| xxx | xxx | | | xxx | xxx | | | | | xxx | xxx |
| xxx | xxx | | | xxx | xxx | | | | | xxx | xxx |
| xxx | xxx | | | xxx | xxx | | | | | xxx | xxx |
| xxx | xxx | | | xxx | xxx | | | | | xxx | xxx |
| xxx | xxx | | | xxx | xxx | | | | | xxx | xxx |
| xxx | xxx | | | xxx | xxx | | | | | xxx | xxx |
| xxx | xxx | | | xxx | xxx | | | | | xxx | xxx |

Pag. 1

B

5 Nm

A

| 🕒 | 🔍 | P1 | P |
|-----|---------|----|---|
| 0X | B0000XX | | |
| 0X- | B0000XX | | |
| | B0000X | | |

Pag. 1

C

5 Nm