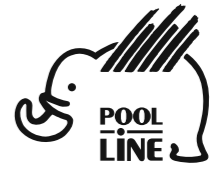




- E** Instrucciones de montaje
- C** Instruccions de muntatge
- GB** Assembly instructions
- F** Instruction de montage
- D** Montageanleitung
- PT** Instruções de montagem
- I** Istruzioni di montaggio
- PL** Instrukcja montażu
- CZ** Montážní návod
- HU** Szerelési Utasítás
- RO** Instrucțiuni de montaj
- HR** Detaljne upute
- TU** Öncelikle montaj

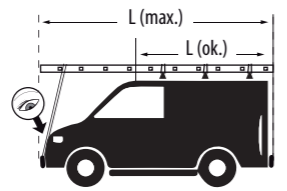
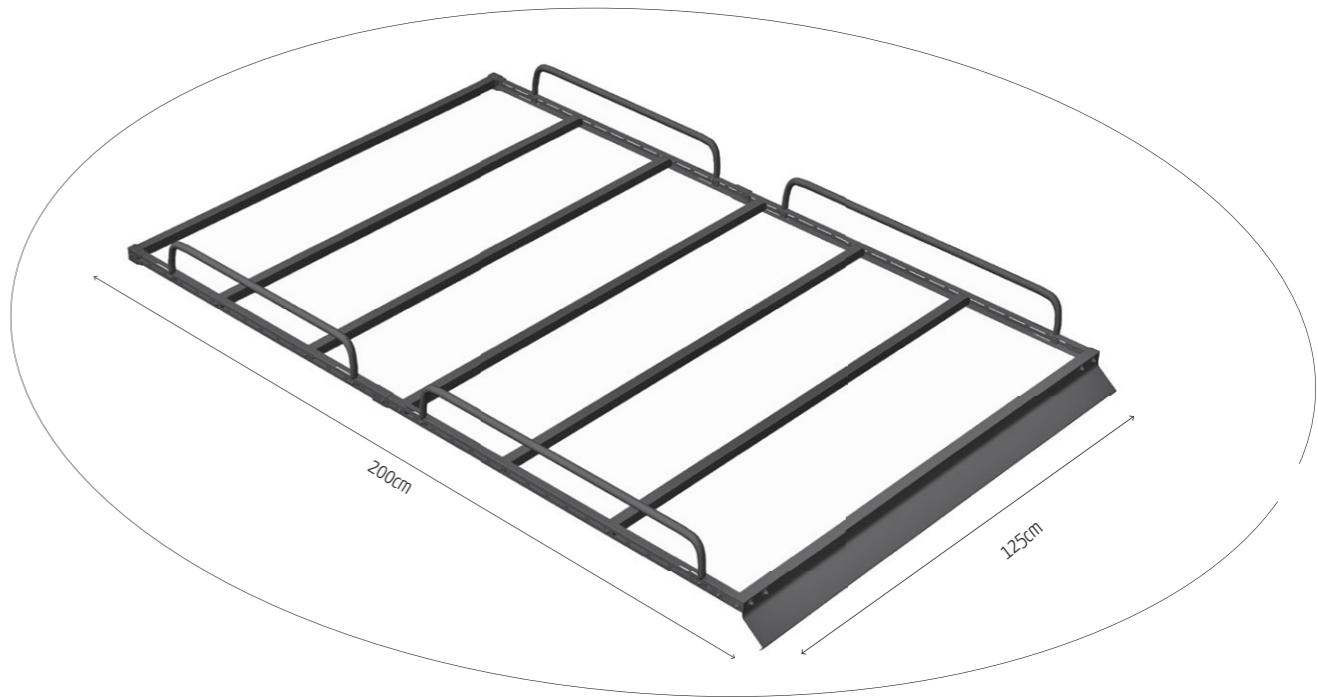








POOL-LINE ACCESORIOS, S.L.  
 C. Esqueis, 19. P. I. Can Barri  
 08415- Bigues i Riells. Barcelona (España)  
 www.pool-line.net

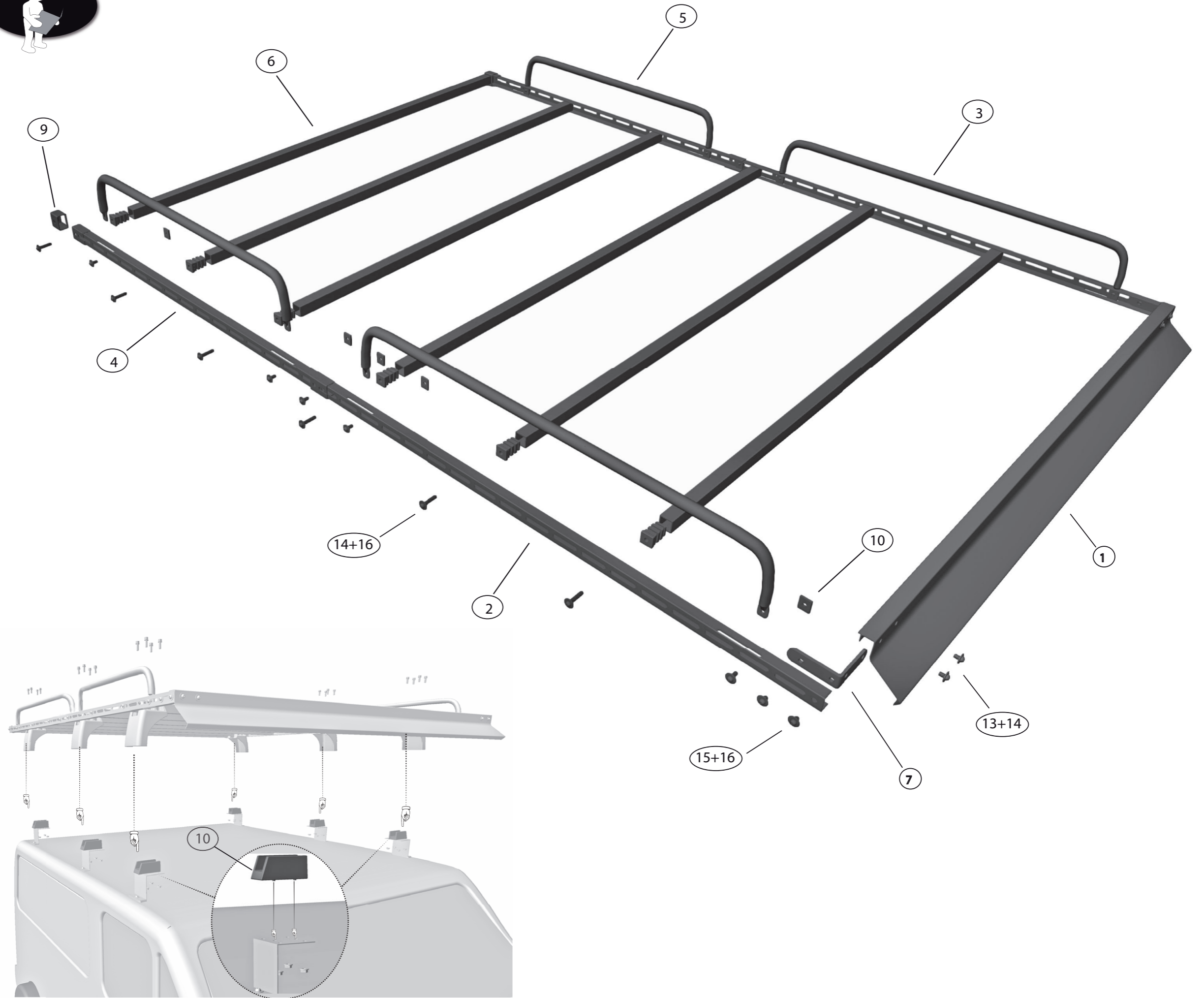
|  |
|--|
| <span style="font-size: 2em; font-weight: bold; margin-left: 20px;">200</span> <span style="font-size: 1.5em; font-weight: bold; margin-left: 10px;">KG.<br/>MAX.</span> |
| Nº HOMOLOGACIÓN: <span style="border: 1px solid black; border-radius: 50%; padding: 2px 5px;">E9</span> 26R-03.1042  |
| <span style="font-size: 0.8em; font-weight: bold; margin-left: 10px;">RECICLABLE</span>  |

123312

Rv: 06/2023

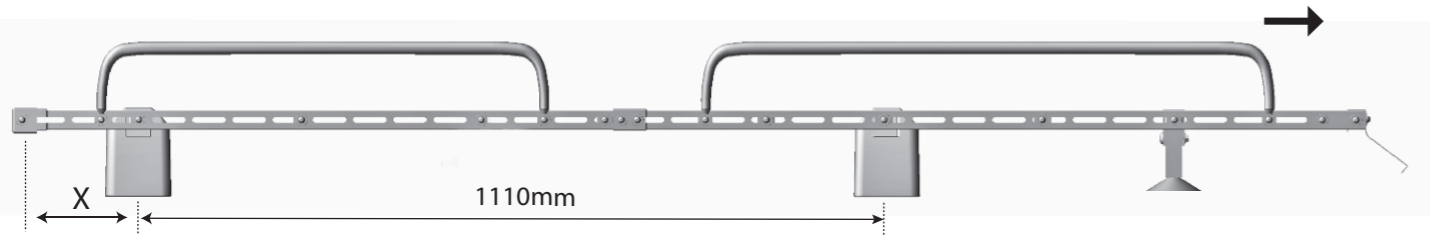


| N  |  | Q  |
|----|--|----|
| 1  |  S-1250           | 1  |
| 2  |  L-1120           | 2  |
| 3  |  B-842            | 2  |
| 4  |  L-943            | 2  |
| 5  |  B-662            | 2  |
| 6  |  T-1235           | 6  |
| 7  |                  | 2  |
| 8  |                 | 12 |
| 9  |                 | 2  |
| 10 |                 | 8  |
| 12 |                 | 1  |
| 13 |  CHA-M8         | 12 |
| 14 |  ISO 7380 M8x40 | 12 |
| 15 |  ISO 7380 M8x16 | 20 |
| 16 |  DIN 125 Ø 8    | 32 |



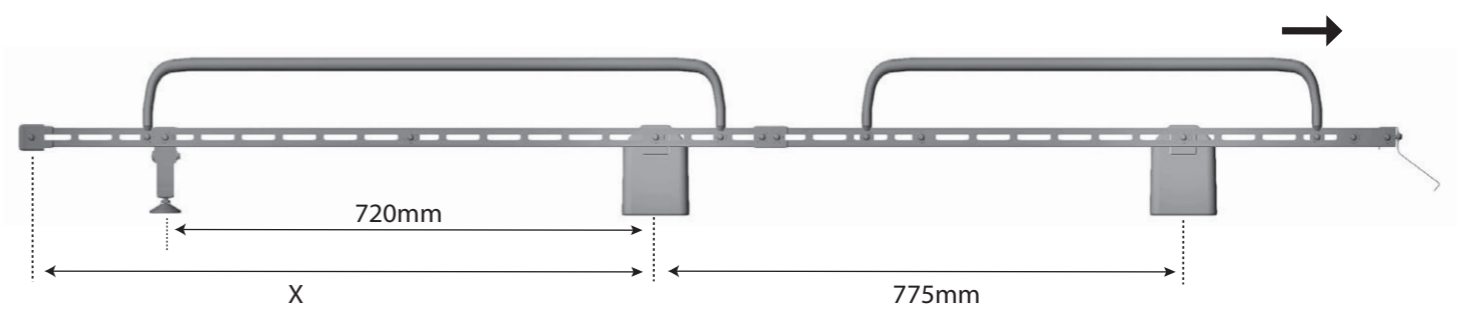


**CITROËN BERLINGO I / PEUGEOT PARTENR I**



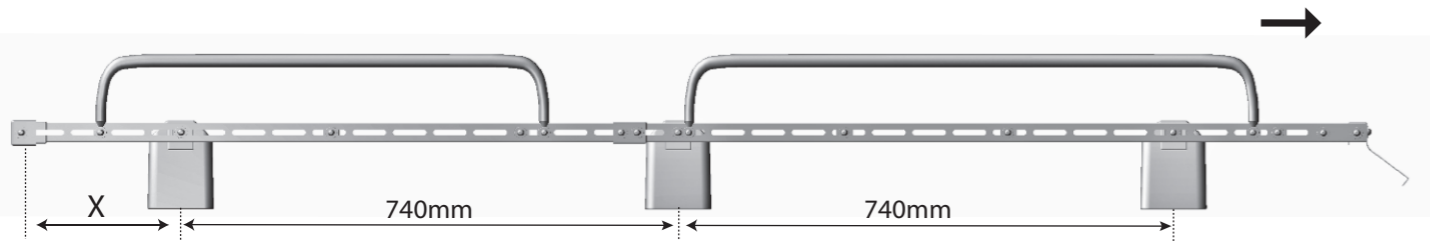
200mm = X

**FORD TOURNEO CONNECT I L1 / FORD TRANSIT CONNEC I T L1**



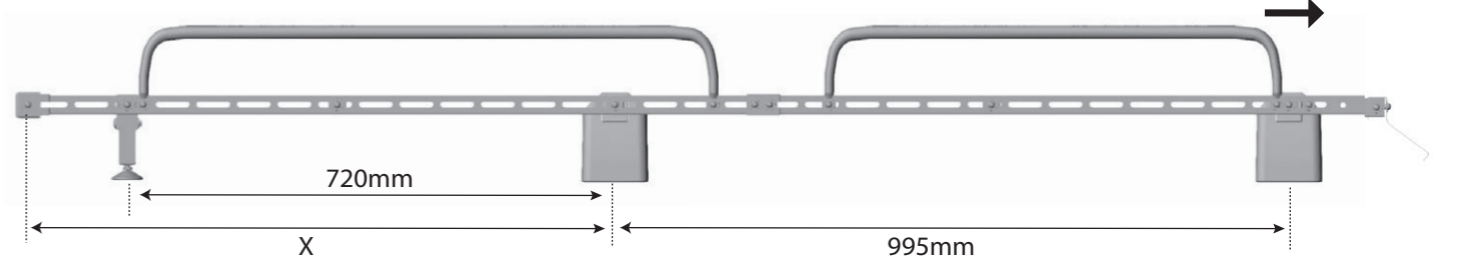
900mm = X

**CITROËN JUMPY I / FIAT SCUDO I / PEUGEOT EXPERT I**



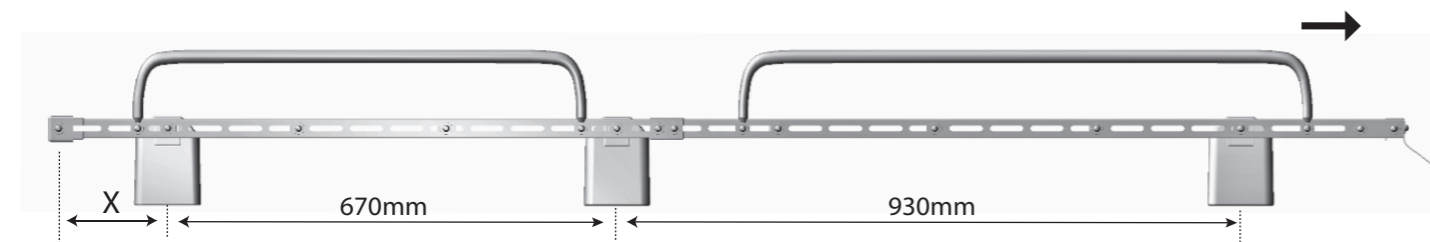
210mm = X

**FORD TOURNEO CONNECT I L2 / FORD TRANSIT CONNEC I T L2**



800mm = X

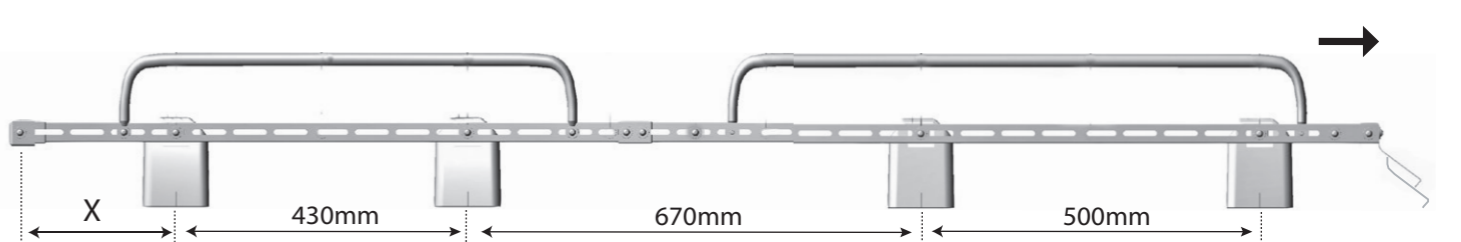
**DACIA DOKKER VAN**



100mm = X

70mm = X

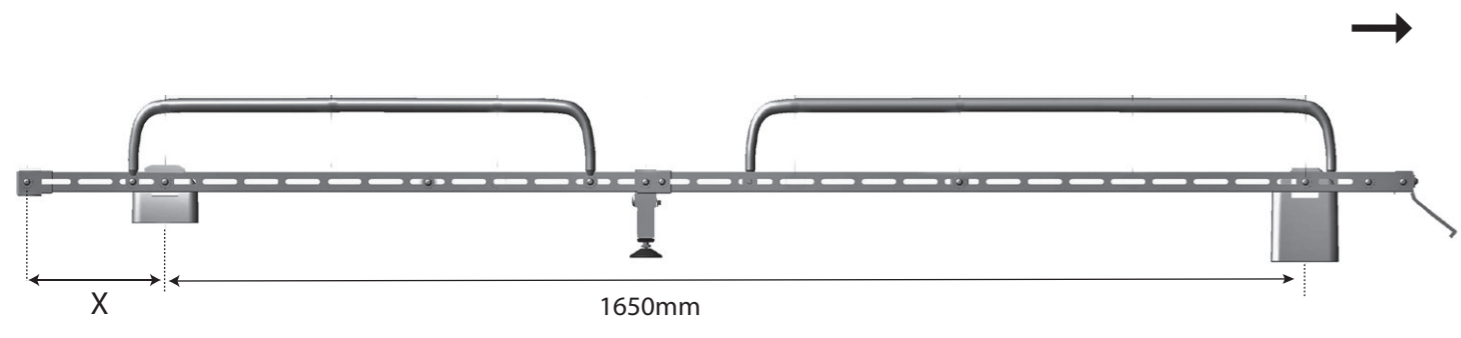
**FORD TRANSIT CONNECT VAN II (2013->)**



300mm = X

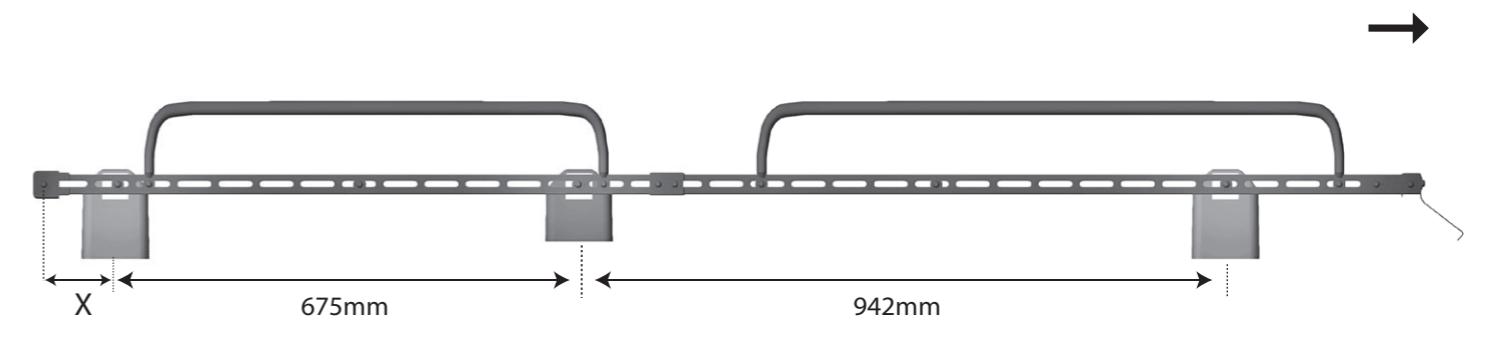


**FORD COURIER II (2013->)**



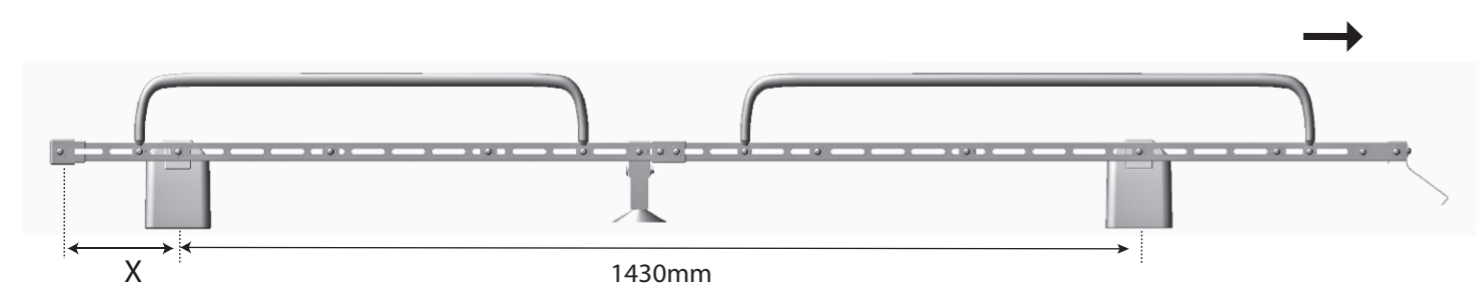
200mm = X

**RENAULT EXPRESS (2021->)**



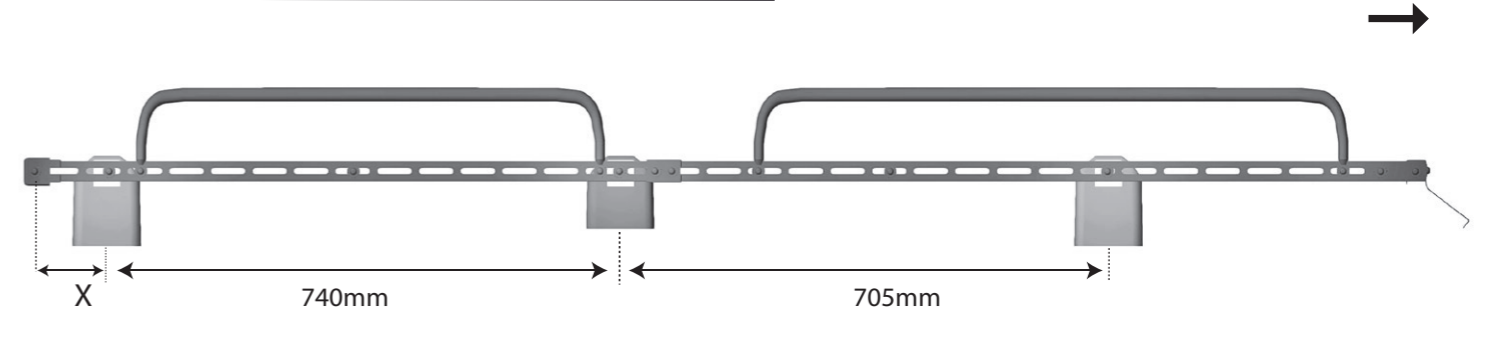
100mm = X

**MERCEDES CITAN W415 L2 / NISSAN NV250 L1 / RENAULT KANGOO II L2**



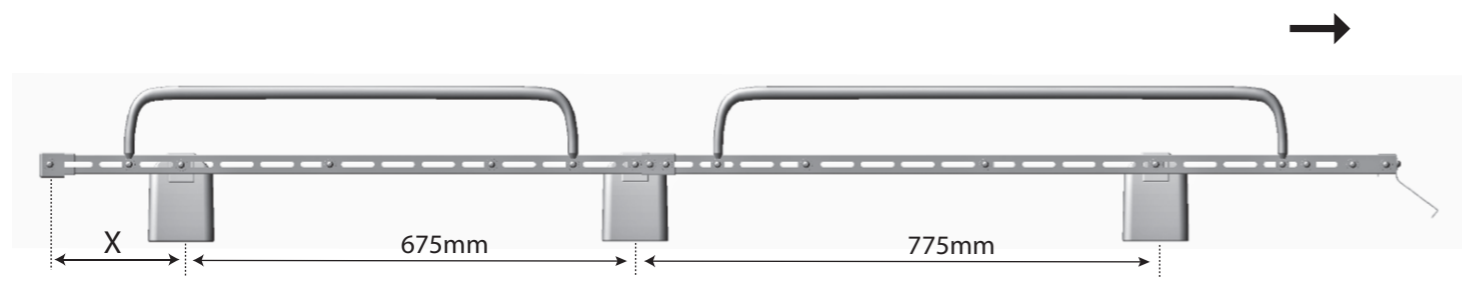
100mm = X

**MERCEDES CITAN 420 L1 (2021->) / RENAULT KANGOO III (2021->)**



100mm = X

**VOLKSWAGEN CADDY IV L1**

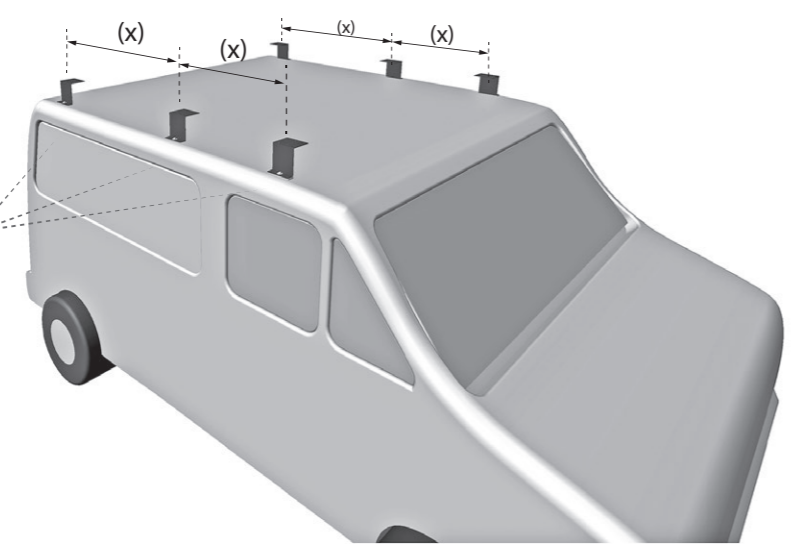


300mm = X

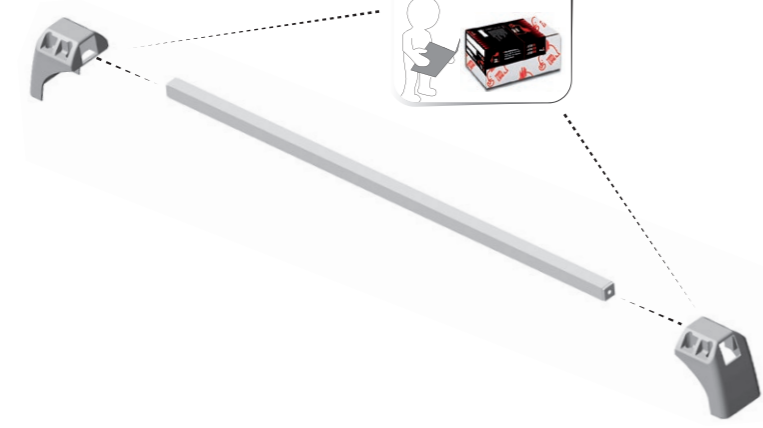




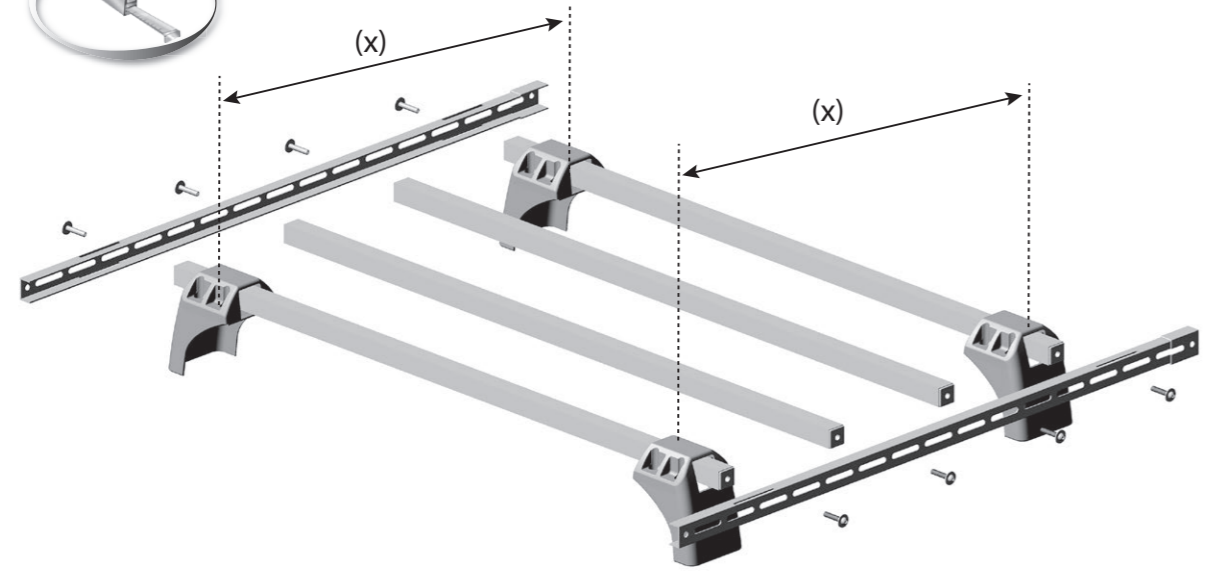
1



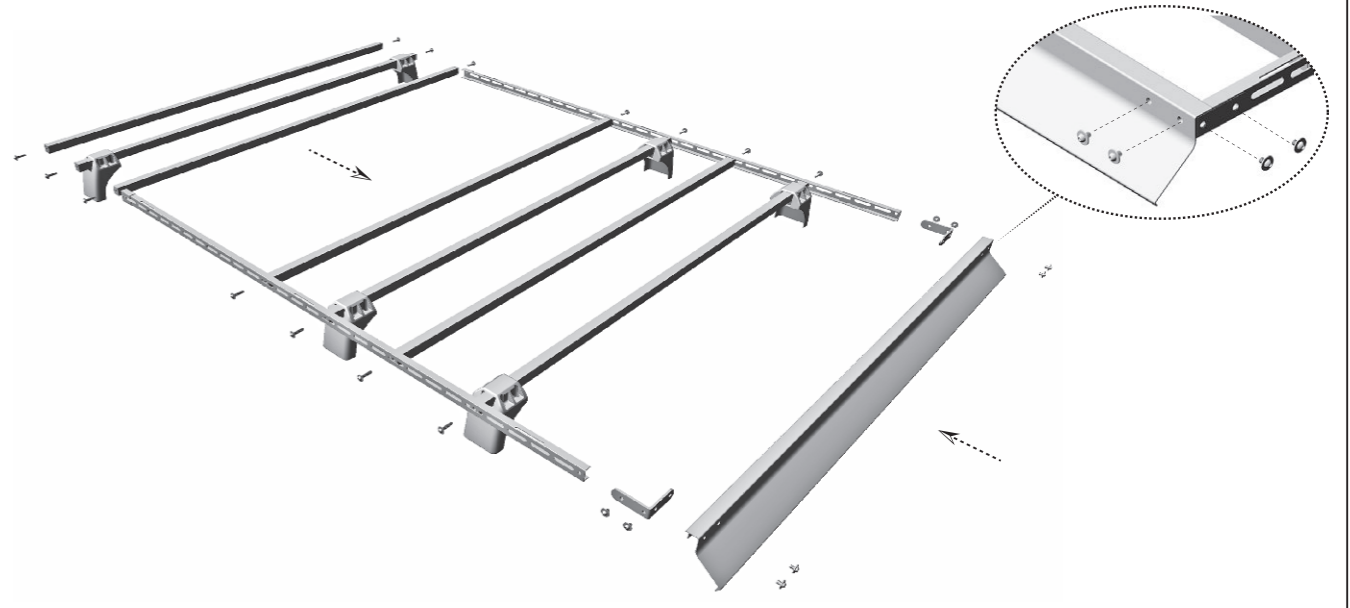
2



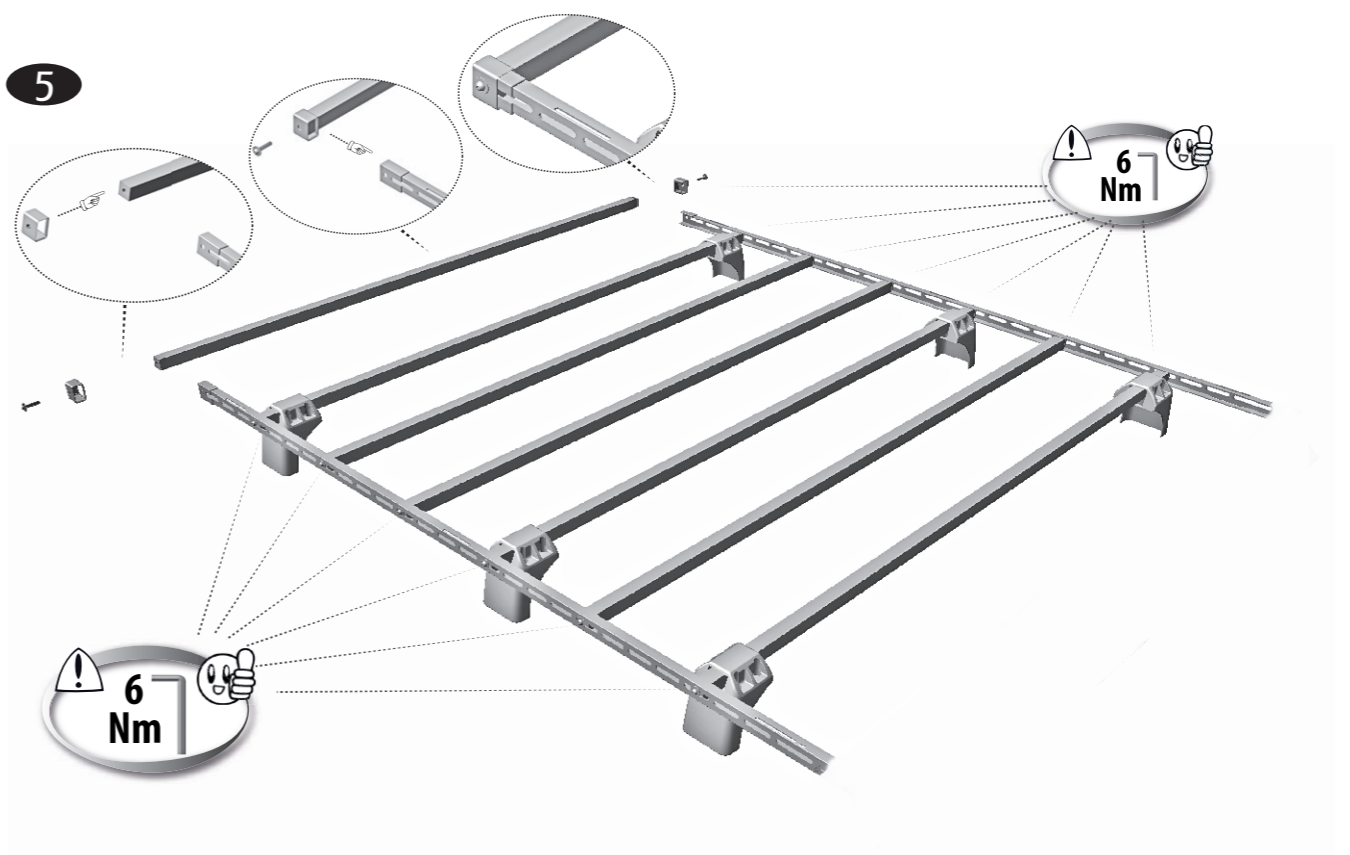
3



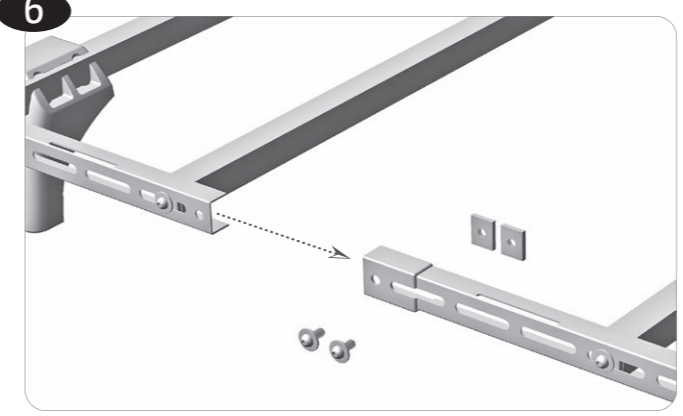
4



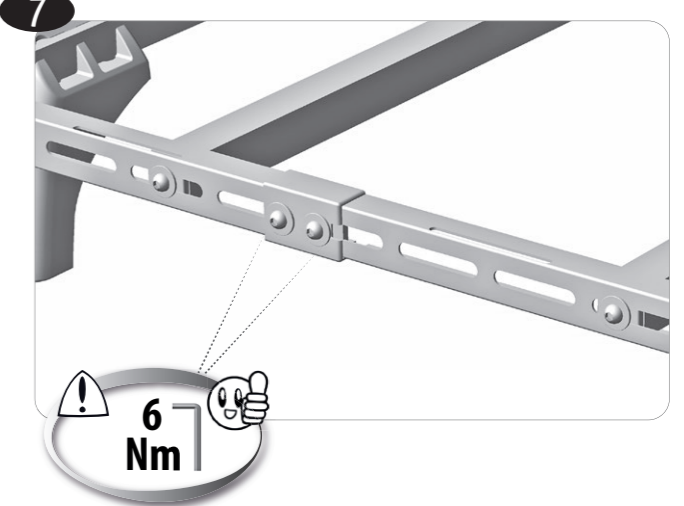
5



6

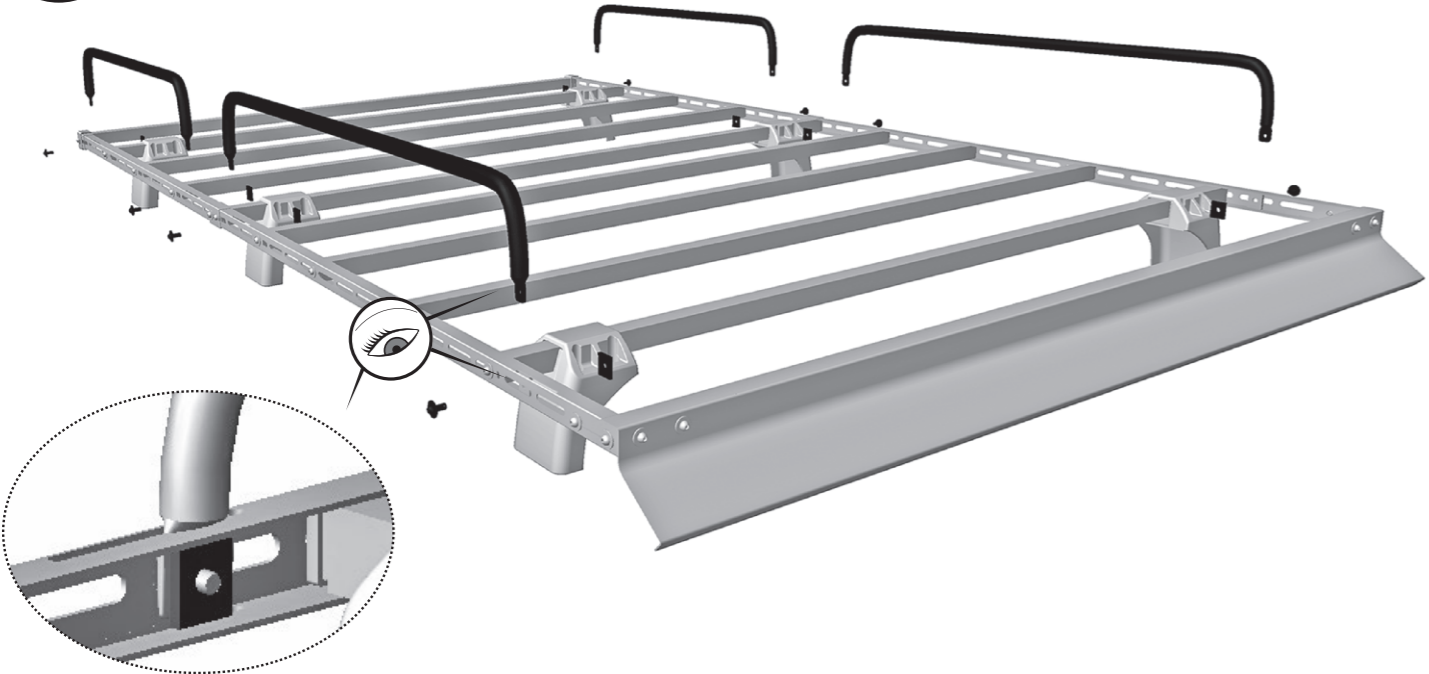


7

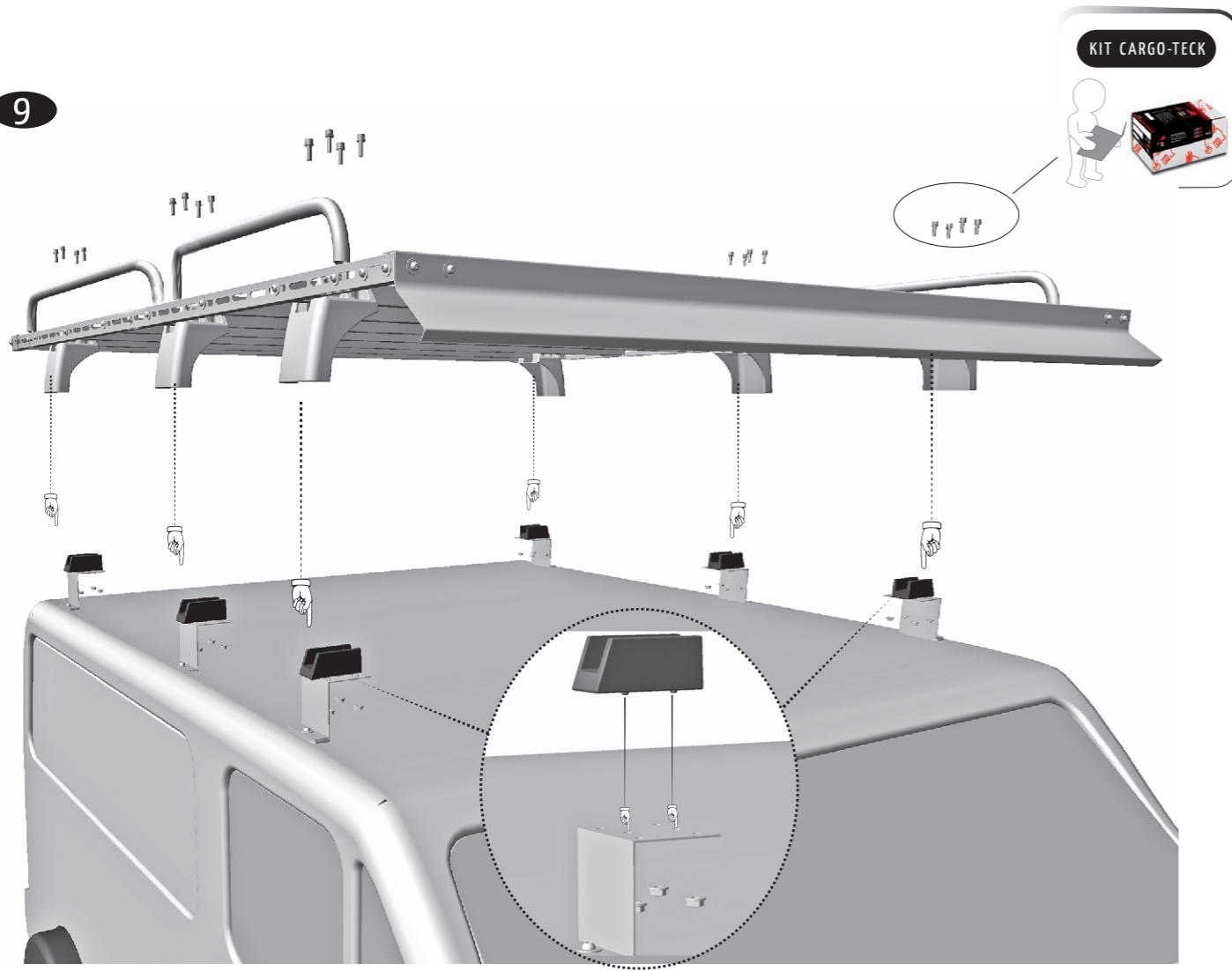




8



9



10

